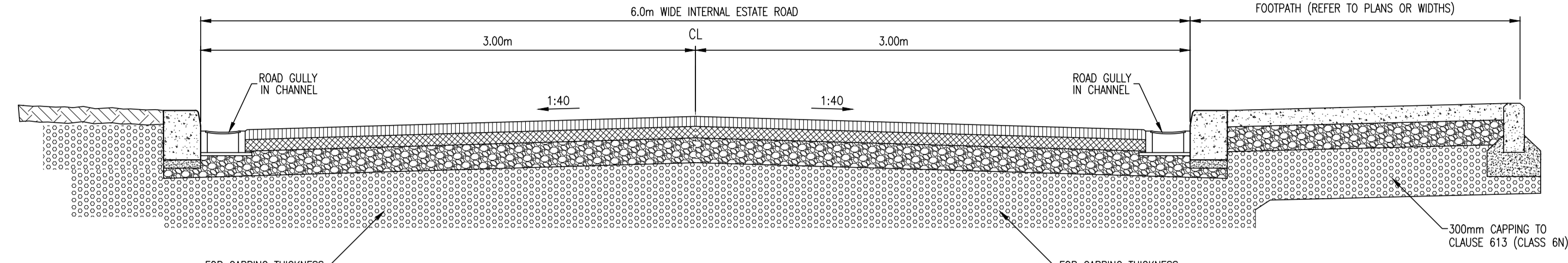


VERGE/SIDE SLOPES :
200mm SPECIAL PURPOSE TOPSOIL TO BS 3882 & APPENDIX 6/8 FOR PLANTING ZONES.

ENTRANCE/DISTRIBUTOR ROAD CONSTRUCTION :
40mm DENSE BITUMEN MACADAM SURFACE COURSE; AC 14 CLOSE SURF 70/100 (14mm AGGREGATE)
60mm DENSE BITUMEN MACADAM BINDER COURSE; AC 20 DENSE BIN 40/60 (20mm AGGREGATE)
110mm DENSE BITUMEN MACADAM BASE COURSE; AC 32 DENSE BASE 40/60 (32mm AGGREGATE)
150mm GRANULAR SUB-BASE TO CLAUSE 808 (TYPE B) WITH BLANDED SURFACE ON SELECTED CAPPING TO CLAUSE 613 (CLASS 6F1/2) REFER TO NOTE 1.
WHERE THE BASECOURSE IS TO BE TRAFFICED OR LEFT UNCOVERED FOR ANY LENGTH OF TIME IT MUST BE SURFACE DRESSED. CONTRACTOR SHOULD NOTE THAT C.B.R.S MUST BE APPROVED BY ENGINEER PRIOR TO COMMENCEMENT OF ROAD CONSTRUCTION

VERGE :
FOR LOCATIONS & WIDTHS OF VERGES REFER TO PLANS.
FOOTPATH :
(AS OPPOSITE)

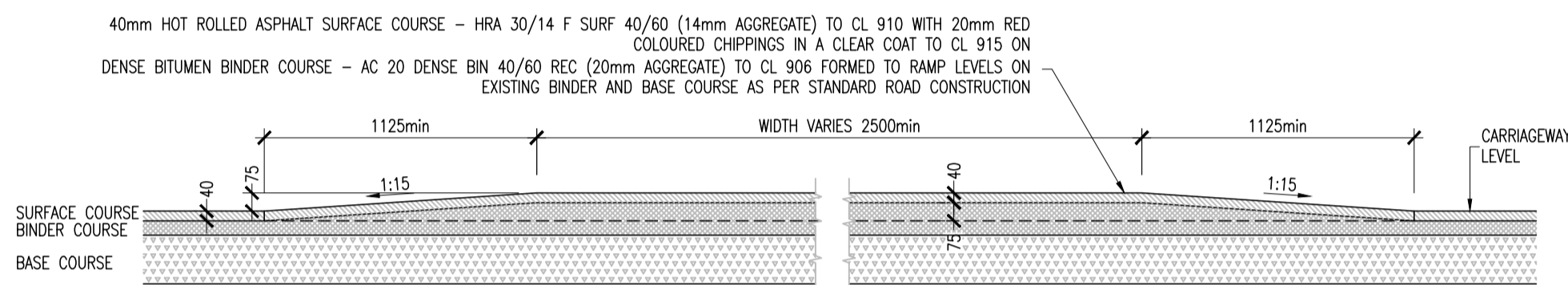


PROPOSED INTERNAL ESTATE ROAD - TYPICAL CROSS-SECTION

SCALE N.T.S.

TABLE 1		
CAPPING/STABILISATION DEPTHS (mm)		
CBR	ROADS	CARPARK
2%-3%	400	300
3%-4%	300	200
4%-5%	250	150
ABOVE 5%	200	100

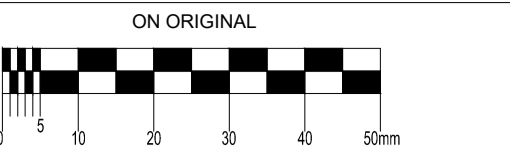
NOTE :
1. FOR AREAS WHERE CBR VALUES ARE BELOW 2%, CARRY OUT THE FOLLOWING:
- THE SOFT AREA IS TO BE EXCAVATED OUT FULLY AND REPLACED WITH A GENERAL FILL MATERIAL (CLASS 1A/1B) TO TIL SPECIFICATION TO THE UNDERSIDE OF AN 'ENKAGRID' LAYER (ENKAGRID TRC 40 OR SIMILAR 40kN/m). SEPARATION GEOTEXTILE TO BE PLACED BETWEEN THE SUBGRADE AND CAPPING.
OR
- SOIL TO BE STABILISED IN-SITU WITH LIME/CEMENT TO SPECIALIST CONTRACTOR SPECIFICATION TO FORMATION LEVEL. MINIMUM CBR 5%.
AN ENGINEER SHOULD INSPECT THE SOFT AREA WHEN IT HAS BEEN FULLY EXCAVATED OUT PRIOR TO THE FILL/STABILISED MATERIAL BEING PLACED/WORKED.
2. FOR AREAS WHERE CBR VALUES ARE BETWEEN 2% AND 5%, CARRY OUT THE FOLLOWING:
- THE SOIL IS TO BE EXCAVATED OUT FULLY AND REPLACED WITH A CAPPING MATERIAL TYPE 6F1/6F2 TO TIL SPECIFICATION. DEPTHS OF CAPPING MATERIAL AS PER TABLE 1. SEPARATION GEOTEXTILE TO BE PLACED BETWEEN THE SUBGRADE AND CAPPING.
OR
- SOIL TO BE STABILISED IN-SITU WITH LIME/CEMENT TO SPECIALIST CONTRACTOR SPECIFICATION TO FORMATION LEVEL. MINIMUM CBR 5%. DEPTHS OF MATERIAL TO BE STABILISED AS PER TABLE 1 BELOW.



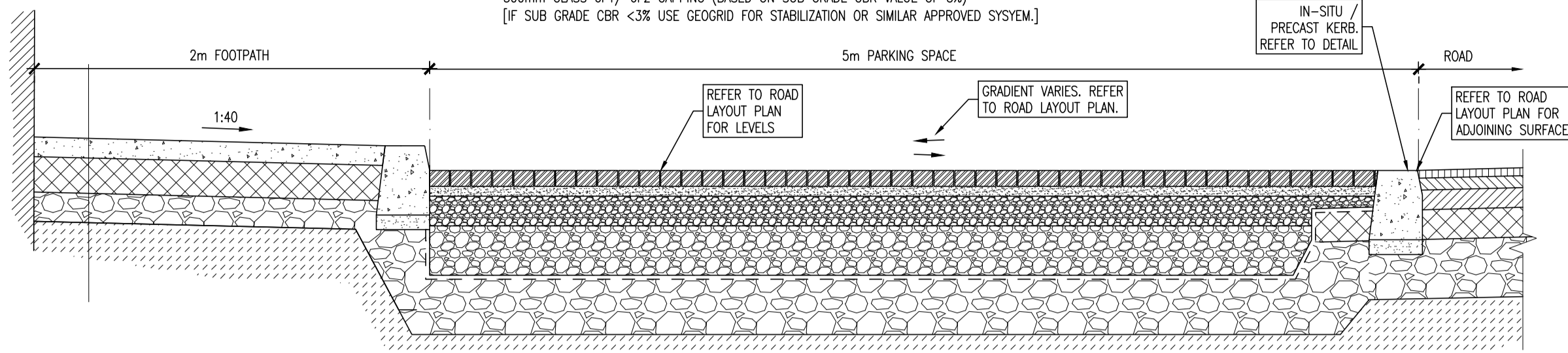
SECTION A-A - THROUGH SPEED RAMP/TRAFFIC PLATFORM

SCALE 1:25

PROFILE & PLAN OF BLISTER SURFACE



PERMEABLE PAVING
80mm PERMEABLE PAVING BLOCK TO ARCHITECTS SPECIFICATION & APPROVAL & LAYING PATTERN ON 50mm LAYING COURSE MATERIAL AS PER TABLE A.2 BS 7533-13 ON 150mm CEMENT STABILISED COARSE GRADED AGGREGATE AS CBOW B TO TIL CL 822 ON 250mm GRANULAR 4/20mm COARSE GRADED PERMEABLE CRUSHED ROCK AS PER TABLE A.1 BS 7533-13 ON IMPERMEABLE MEMBRANE TO BASE & SIDES OF PERMEABLE PAVING ON PERMEABLE GEOTEXTILE ON 300mm CLASS 6F1/6F2 CAPPING (BASED ON SUB GRADE CBR VALUE OF 3%) [IF SUB GRADE CBR < 3% USE GEOGRID FOR STABILIZATION OR SIMILAR APPROVED SYSTEM.]



TYPICAL CROSS-SECTION THROUGH PROPOSED PERMEABLE PAVING PARKING

SCALE 1:25

© COPYRIGHT OF THIS DRAWING IS RESERVED BY DBFL CONSULTING ENGINEERS. NO PART SHALL BE REPRODUCED OR TRANSMITTED WITHOUT THEIR WRITTEN PERMISSION.

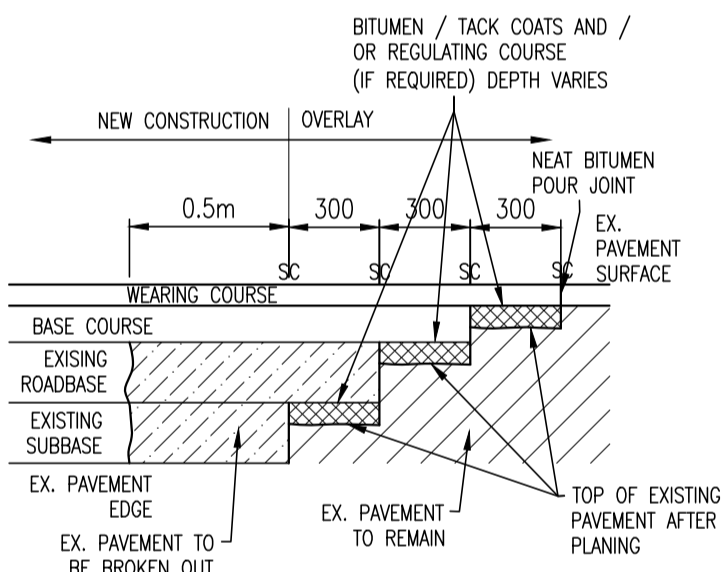
NO CHANGES OF WHATSOEVER NATURE ARE TO BE MADE TO ANY DETAILS SET OUT OR CONTAINED IN ANY DBFL SPECIFICATIONS OR DRAWINGS UNLESS THE EXPRESS CONSENT HAS BEEN OBTAINED IN ADVANCE, IN WRITING, FROM DBFL.

NOTES:

- C20/25 CONCRETE TO HAVE A MINIMUM CEMENT CONTENT OF 280kg/m³ MAXIMUM WATER/CEMENT RATIO OF 0.65 AND SLUMP CLASS S2.
- C25/30 CONCRETE TO HAVE A MINIMUM CEMENT CONTENT OF 280kg/m³ MAXIMUM WATER/CEMENT RATIO OF 0.65 AND SLUMP CLASS S2.
- C40/50 CONCRETE TO HAVE A MINIMUM CEMENT CONTENT OF 400kg/m³ MAXIMUM WATER/CEMENT RATIO OF 0.45 AND SLUMP CLASS S3.
- WHERE CLASS 6F1/6F2 CAPPING MATERIAL IS PROPOSED WITHIN 500mm OF CONCRETE OR STEEL, CLASS 6N TO BE USED INSTEAD.
- WHERE FOOTPATHS ARE LOCATED ADJACENT TO ROADS, C40/50 CONCRETE TO BE USED. ALTERNATIVELY, FOOTPATHS LOCATED BEHIND VERGES C25/30 CONCRETE MAY BE USED.

NOTE:

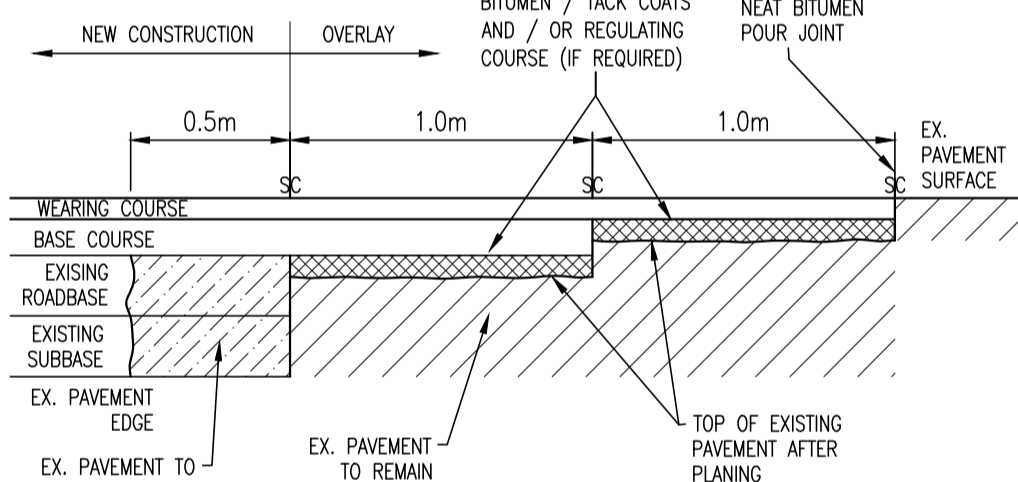
ALL WORKS & SPECIFICATIONS TO BE UNDERTAKEN IN ACCORDANCE WITH
• TIL SPECIFICATION FOR ROADWORKS
• GREATER DUBLIN CODE OF PRACTICE FOR DRAINAGE WORKS
• RECOMMENDATIONS FOR SITE DEVELOPMENT WORKS



LONGITUDINAL SAWCUT DETAIL

SCALE : 1:25

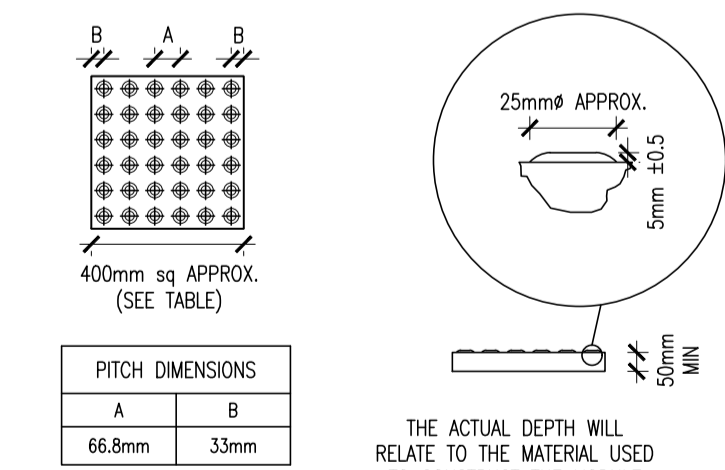
(SC = SAW CUT LINES, CUT WITH ROTARY SAW.)



TRANSVERSE SAWCUT DETAIL

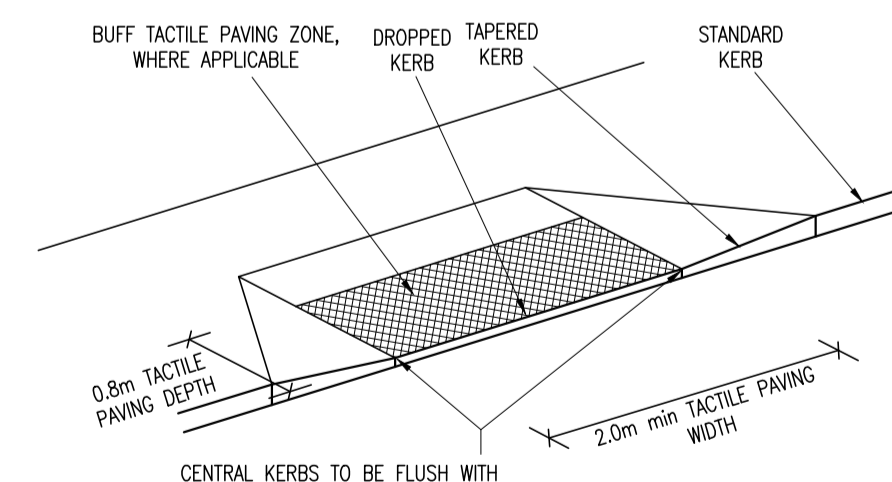
SCALE : 1:25

(SC = SAW CUT LINES, CUT WITH ROTARY SAW.)



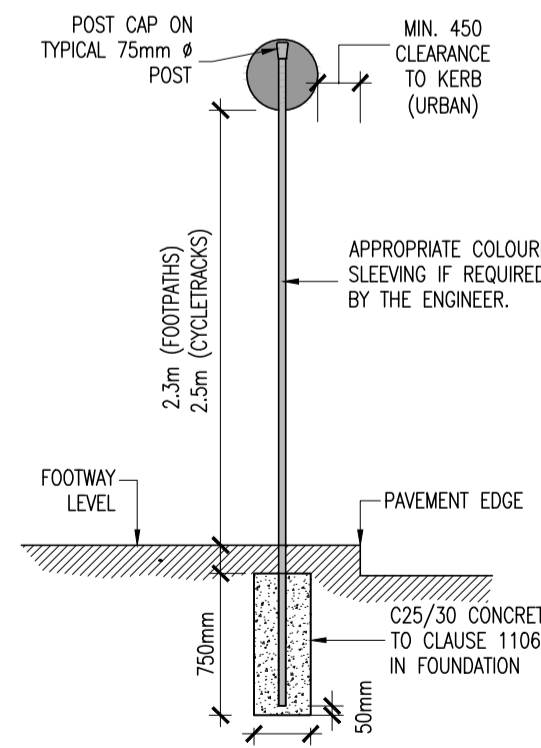
PROFILE & PLAN OF BLISTER SURFACE

THE ACTUAL DEPTH WILL RELATE TO THE MATERIAL USED TO CONSTRUCT THE MODULE

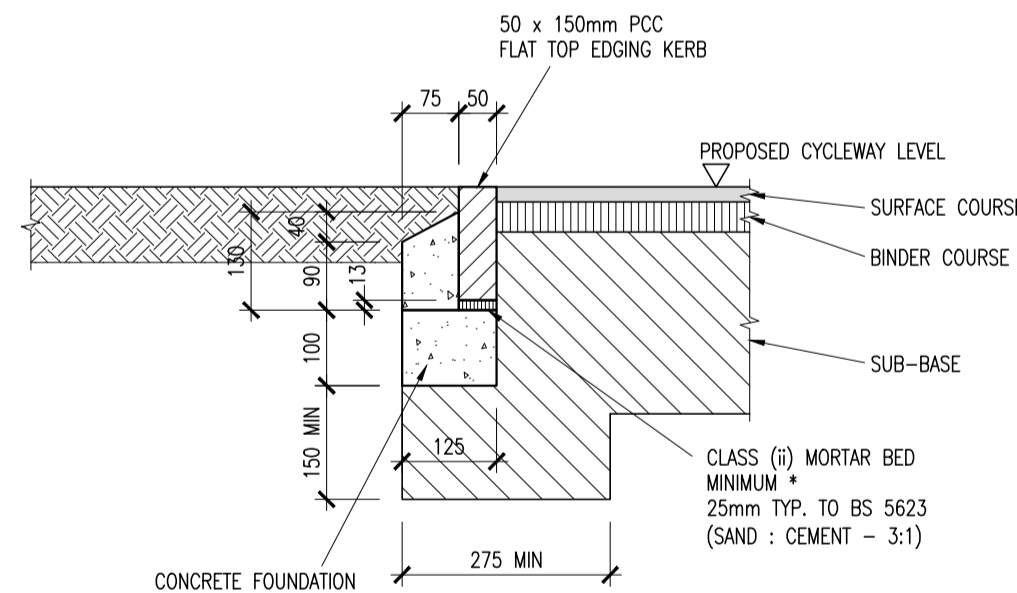


UNCONTROLLED DISHED CROSSING WITH TACTILE PAVING

SCALE 1:50

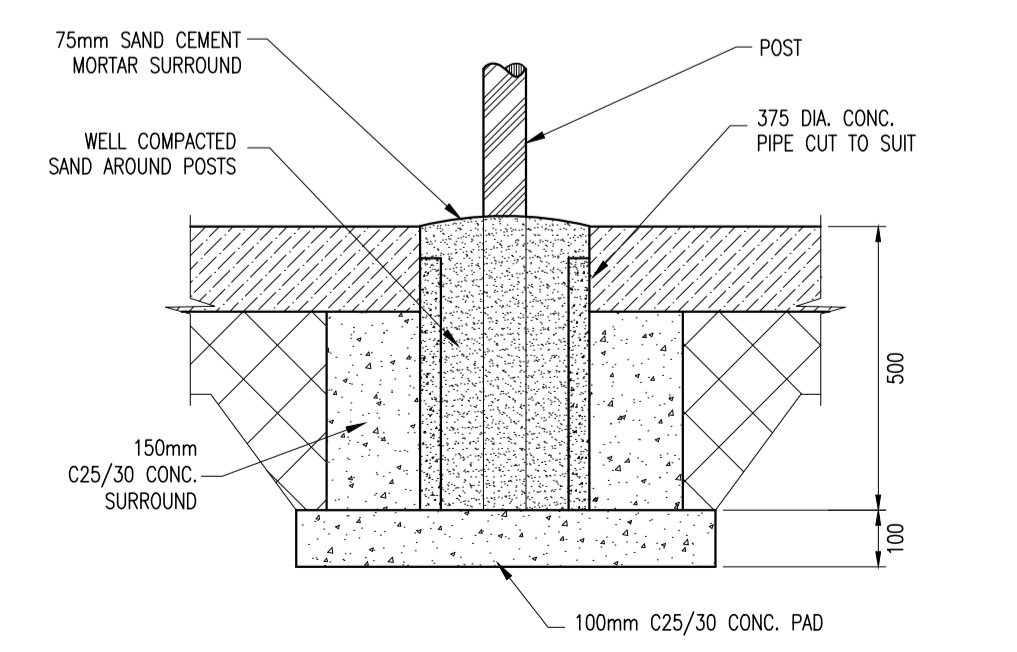


INFORMATION SIGN (SINGLE POST)



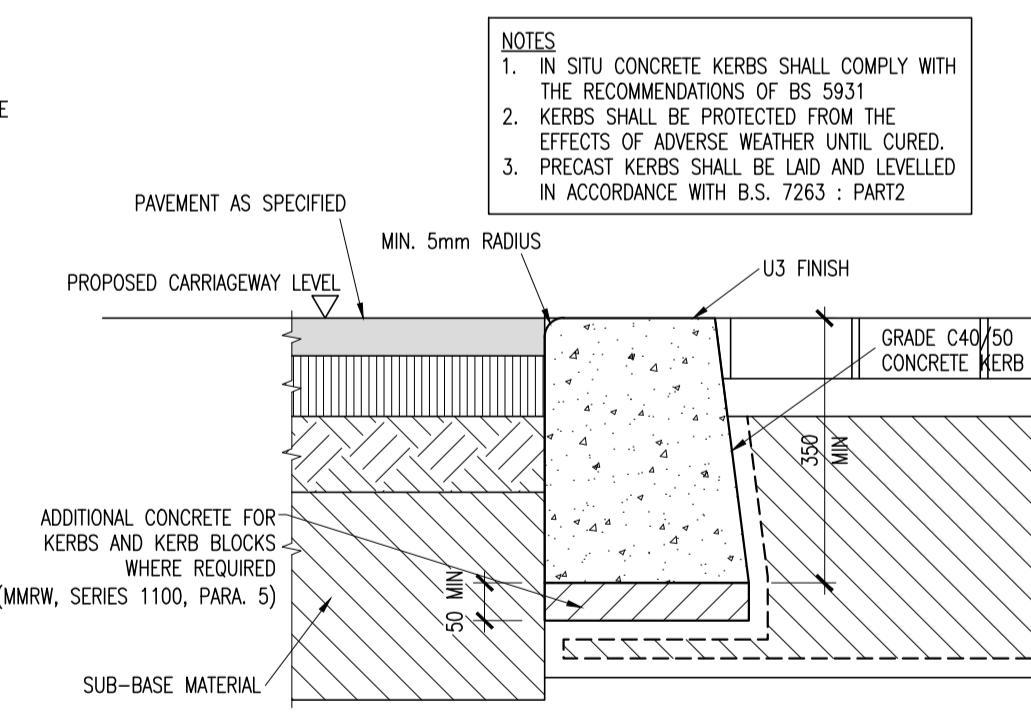
PIN KERB EDGING

SCALE 1:10



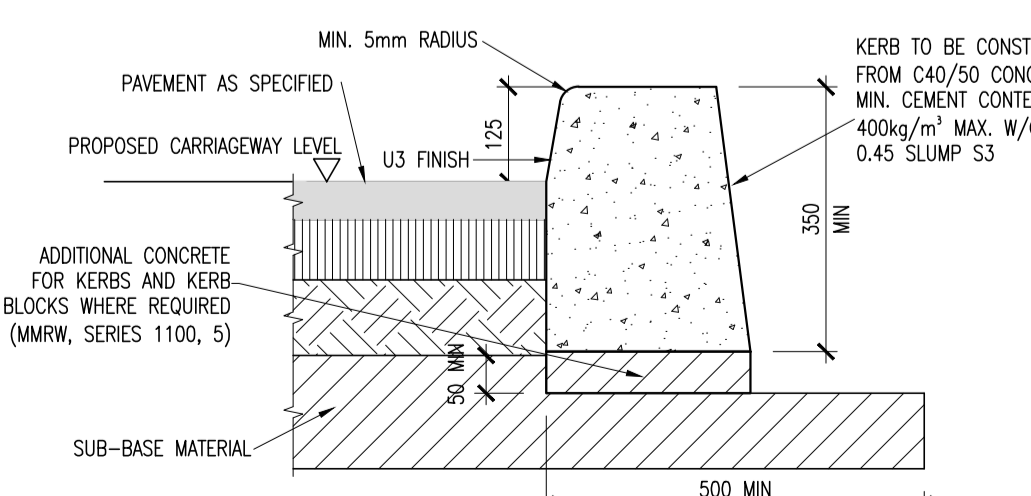
POST POCKET DETAIL

SCALE : 1:50



FLUSH KERB DETAIL

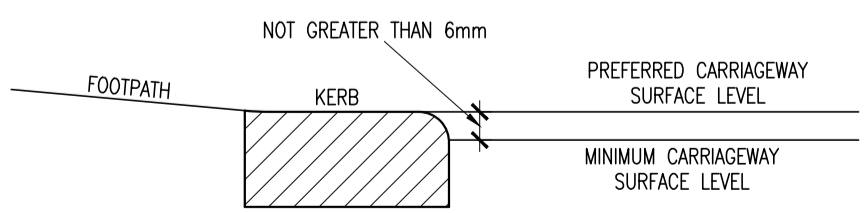
SCALE 1:10



INSITU CONCRETE KERB DETAIL

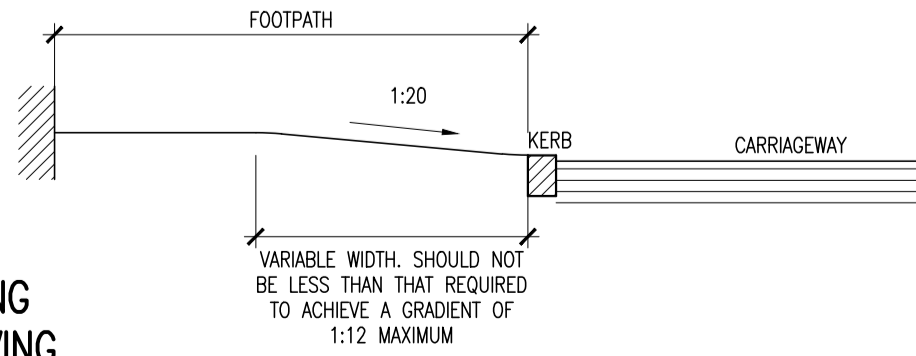
SCALE 1:10

NOTES:
1. IN SITU CONCRETE KERBS SHALL COMPLY WITH THE RECOMMENDATIONS OF BS 5931
2. KERBS SHALL BE PROTECTED FROM THE EFFECTS OF ADVERSE WEATHER UNTIL CURED.
3. PRECAST KERBS SHALL BE LAID AND LEVELLED IN ACCORDANCE WITH B.S. 7263 - PART 2.



DISHED CROSSING WITH TACTILE PAVING

SCALE nts



rev	date	description	by	chkd.
0	10-06-22	ISSUED FOR PLANNING	LMCL	

STATUS CODES

purpose	acceptance
P3 - PLANNING PERMISSION	S - ISSUED

DBFL Consulting Engineers
Civil, Structural & Transportation Engineering
www.dbfl.ie

DUBLIN OFFICE: Ormond House, Upper Ormond Quay, Dublin 7, D07 W9T4
PHONE: +353 1 404 4000
CORK OFFICE: 14 South Mall, Cork, T12 CT91
PHONE: +353 21 2024538
WATERFORD OFFICE: 54a-56 The Arcade, Maritime Gate, Canada Street, Waterford, X91 W028
PHONE: +353 51 309 500

project ref.
MIXED USE DEVELOPMENT-CHADWICKS. SWORDS ROAD, SANTRY.

drawing title
ROADS STANDARD DETAILS SHEET 1 OF 1

client
DWYER NOLAN DEVELOPMENTS

designed by	author	scale	sheet size
LMCL	DCH	AS SHOWN	A1
drawing no.		revision	
200060-X-04-X-XXX-DR-DBFL-CE-5007			0